



## LWFLED-HV-2IPREM-BLK

CLEVERTRONICS L10 LED WEATHERPROOF SUPALITE WITH REMOTE LAMPS, BLACK (ZONWORKS XT HIVE)



### PRODUCT INFORMATION

|                          |   |
|--------------------------|---|
| Part Number              | LWFLED-HV-2IPREM-BLK  |
| MIC                      | AUE01820040001  |
| Description              | L10 Lithium Nanophosphate LED Weatherproof Supalite flood Unit, Surface Mounted Emergency Light with Dual Remote Lamps, Black |
| Construction             | Polycarbonate   |
| Dimensions L x W x H     | Main Enclosure - 380mm x 190mm x 130mm<br>Lamp - 66mm x 80mm x 206mm  |
| Weight                   | Main Enclosure - 2.6kg<br>Head - 0.36kg   |
| Operating Mode           | Non-maintained  |
| Testing System           | Zoneworks XT HIVE (RF)  |
| Battery                  | Lithium Nanophosphate, 6.6V 2500mAh   |
| Charging Method          | Intelligent Current Limited Constant Voltage  |
| Lamp(s)                  | 2 x LED Heads (adjustable), 495lm Per Lamp Head   |
| Operating Voltage        | 240V AC; 50Hz   |
| Power Consumption        | 1.0W (Standby), 5.4W (Max)  |
| IP Rating                | IP65  |
| Operating Temperature    | -40°C to 40°C (Remote Lamps Only)<br>0°C to 40°C (Control Gear)   |
| AS2293 Classification    | C <sub>0</sub> =N/A C <sub>90</sub> =N/A  |
| Applicable Standards     | AS/NZS3820, CISPR15, AS/NZS2293.3   |
| Compliance Marking (RCM) |   |

### REPLACEMENT PARTS

| PART NUMBER                                 | DESCRIPTION     |
|---|-----------------|
| 1530260                                     | Battery (x2)    |
| AUM01870270001<br>LCPLED-WP-18V500C-CKIT-HV | LED Driver Pack |
| 1100551                                     | LED Head (x2)   |
| 8003192                                     | Node (HIVE)     |

The product details described in this document are current as at the version date of the document. We reserve the right to change product design, specifications or materials (Specifications) as part of our continuous improvement program. Please confirm the applicable Specifications at the time of placing your order.



# LWFLED-HV-2IPREM-BLK

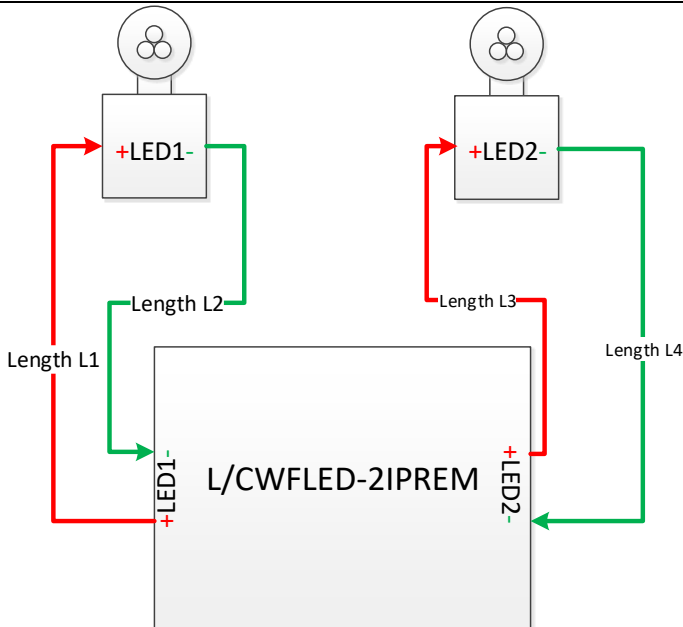
CLEVERTRONICS L10 LED WEATHERPROOF SUPALITE WITH REMOTE LAMPS, BLACK (ZONWORKS XT HIVE)

## Inter-connecting cable type and distances

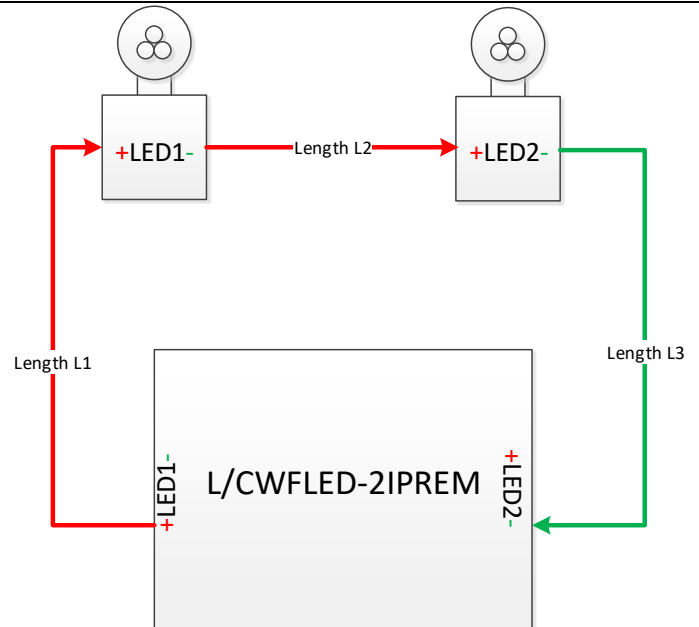
In accordance with AS2293, the maximum distance the control gear and battery can be located from the lamp source is 2m before there is a requirement need to run in fire protected cable. Below is a list indicating the maximum distance and cable size required to mount the CWFLED-2IPREM lamp source 10, 20, 30 & 40m away from the control pack and batteries. Please note that this cable would need to be suitably fire rated. As per the previous page Clevertronics would supply the pack and heads with a short lead and terminal block for the contractor to supply and wire the appropriate 2-wire per lamp head "extension" (4 core in total) cable.

The cable sizes for 10M, 20M, 30M, 40M are as follows:

### Option 1:



### Option 2:



| L1 + L2 + L3 + L4 | Cable Size          | L1 + L2 + L3 | Cable Size          |
|-------------------|---------------------|--------------|---------------------|
| 10m               | 1.5 mm <sup>2</sup> | 10m          | 1.5 mm <sup>2</sup> |
| 20m               | 2.5 mm <sup>2</sup> | 20m          | 2.5 mm <sup>2</sup> |
| 40m               | 4.0 mm <sup>2</sup> | 40m          | 4.0 mm <sup>2</sup> |
| 80m               | 6.0 mm <sup>2</sup> | 80m          | 6.0 mm <sup>2</sup> |