



## LWFLED-DALI-2IPREM-BLK

CLEVERTRONICS L10 LED WEATHERPROOF SUPALITE  
WITH REMOTE LAMPS - BLACK



PRODUCT INFORMATION	
Part Number	LWFLED-DALI-2IPREM-BLK
MIC	AUE01220030003
Description	L10 Optimum LED Weatherproof Supalite Flood Unit, Surface Mounted Emergency Light with Dual Remote Lamps
Construction	Polycarbonate
Mounting	Surface wall mount (hard wired supply connection)
Dimensions	Main Enclosure - 380mm (W) x 190mm (H) x 130mm (D) Remote Lamps - 66mm x 80mm x 206mm
Weight	Main Enclosure - 2.6 kg Remote Lamps - 0.4kg
Operating Mode	Non-maintained
Testing System	DALI Registered
Battery	2 x Lithium Nanophosphate, 6.6V 2500mAh
Charging Method	Intelligent Current Limited Constant Voltage
Lamp(s)	2 x LED Heads (adjustable), 495lm per lamp head
Operating Voltage	240V AC; 50Hz
Power Consumption	1.0W (Standby), 5.4W (Max)
IP Rating	IP65
Operating Temperature	-40°C to 40°C (Remote Lamps only) 0°C to 40°C (Control Gear)
AS2293 Classification	C <sub>0</sub> =N/A C <sub>90</sub> =N/A
Applicable Standards	AS/NZS3820, CISPR15, AS/NZS2293.3
Compliance Marking (RCM)	

REPLACEMENT PARTS	
PART NUMBER	DESCRIPTION
1530190	BATT:L10. 6.6V 2.5Ah..2m lead.Stck.Brkt. (QTY 2)
1100550	WP Led Head, c/w Led's & Loom, Gland (QTY 2)
LCPLED-WP-18V500C-CKIT	LED Power Pack, 18V 500mA, IP Loom, L10
8001460	PCA:PwrIn Node ZW Horizontal #CT10310-A6

The product details described in this document are current as at the version date of the document. We reserve the right to change product design, specifications or materials (Specifications) as part of our continuous improvement program. Please confirm the applicable Specifications at the time of placing your order



# LWFLED-DALI-2IPREM-BLK

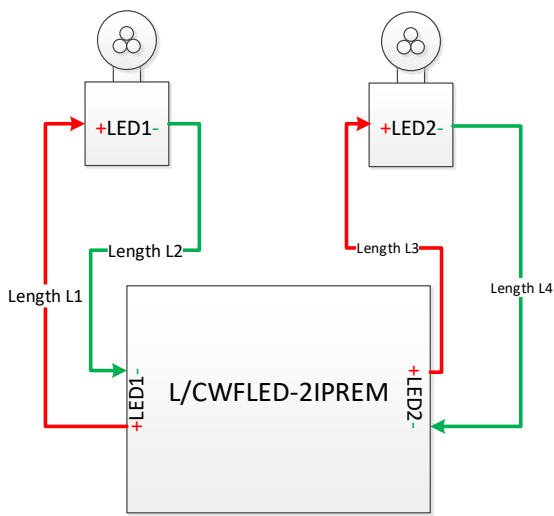
## CLEVERTRONICS L10 LED WEATHERPROOF SUPALITE WITH REMOTE LAMPS - BLACK

### Inter-connecting cable type and distances

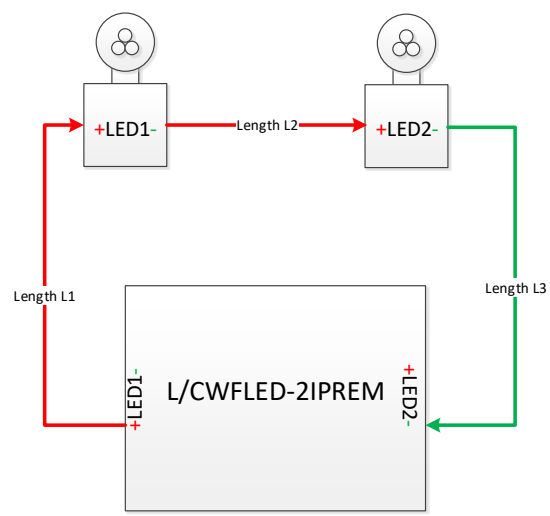
In accordance with AS2293, the maximum distance the control gear and battery can be located from the lamp source is 2m before there is a requirement need to run in fire protected cable. Below is a list indicating the maximum distance and cable size required to mount the Weatherproof Supalite lamp source 10, 20, 30 & 40m away from the control pack and batteries. Please note that this cable would need to be suitably fire rated. As per the previous page Clevertronics would supply the pack and heads with a short lead and terminal block for the contractor to supply and wire the appropriate 2-wire per lamp head "extension" (4 core in total) cable.

The cable sizes for 10M, 20M, 30M, 40M are as follows:

#### Option 1:



#### Option 2:



L1 + L2 + L3 + L4	Cable Size	L1 + L2 + L3	Cable Size
10m	1.5 mm <sup>2</sup>	10m	1.5 mm <sup>2</sup>
20m	2.5 mm <sup>2</sup>	20m	2.5 mm <sup>2</sup>
40m	4.0 mm <sup>2</sup>	40m	4.0 mm <sup>2</sup>
80m	6.0 mm <sup>2</sup>	80m	6.0 mm <sup>2</sup>