



## CWFLED-HV-2IPREM-BLK

CLEVERTRONICS LP LED WEATHERPROOF SUPALITE  
WITH REMOTE LAMPS - BLACK



### PRODUCT INFORMATION

Part Number	CWFLED-HV-2IPREM-BLK
MIC	AUE02820040001
Description	LP Premium LED weatherproof supalite flood unit, surface mounted Emergency Light with dual remote lamps, Black
Construction	Polycarbonate
Dimensions L x W x H	Main enclosure - 380mm x 190mm x 130mm Lamp - 66mm x 80mm x 206mm
Weight	Main enclosure - 2.6kg Head - 0.36kg
Operating Mode	Non-maintained
Testing System	Zoneworks XT HIVE (RF)
Battery	Lithium Iron Phosphate, 6.4V 3200mAh
Charging Method	Intelligent current limited constant voltage
Lamp(s)	2 x LED Heads (adjustable), 600lm per lamp head
Operating Voltage	240V AC; 50Hz
Power Consumption	1.0 Watts (Standby), 5.4 Watts (Max)
IP Rating	IP65
Operating Temperature	-40°C to 40°C (remote lamps only) 0°C to 40°C (control gear)
AS2293 Classification	C0=N/A C90=N/A
Applicable Standards	AS/NZS3820, CISPR15, AS/NZS2293.3
Compliance Marking (RCM)	

### REPLACEMENT PARTS

PART NUMBER	DESCRIPTION
1550290	BATT:LP 6.4V 3.2Ah.200mm lead.Stick.Brkt (x2)
AUM02870200001 CCPLED-WP-18V625C-CKIT-HV	LED Power Pack, 18V 625mA, IP Loom,HV,LP (incl HIVE Node)
1100551	WP Led Head, c/w Led's & Loom, Gland, Blk
8003192	PCA: RF Node CT10678-A12 Int Antenna Horizontal

The product details described in this document are current as at the version date of the document. We reserve the right to change product design, specifications or materials (Specifications) as part of our continuous improvement program. Please confirm the applicable Specifications at the time of placing your order.



# CWFLED-HV-2IPREM-BLK

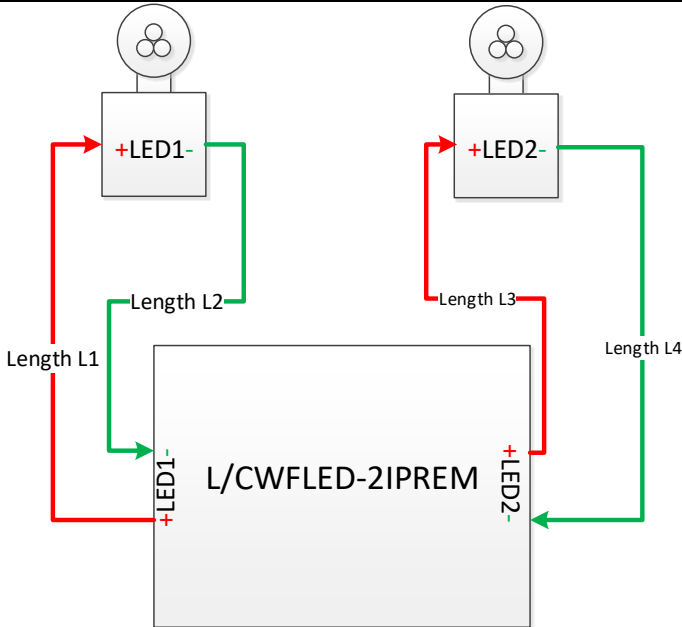
CLEVERTRONICS LP LED WEATHERPROOF SUPALITE  
WITH REMOTE LAMPS - BLACK

### Inter-connecting cable type and distances

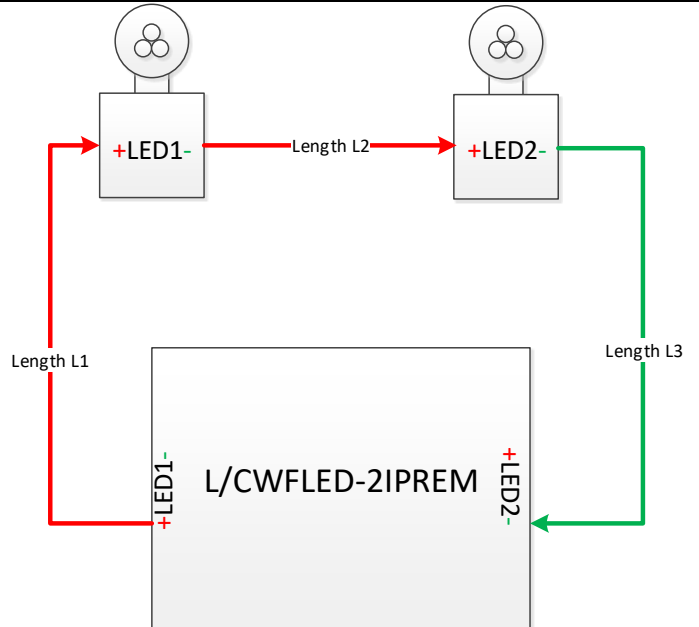
In accordance with AS2293, the maximum distance the control gear and battery can be located from the lamp source is 2m before there is a requirement need to run in fire protected cable. Below is a list indicating the maximum distance and cable size required to mount the CWFLED-2IPREM lamp source 10, 20, 30 & 40m away from the control pack and batteries. Please note that this cable would need to be suitably fire rated. As per the previous page Clevertronics would supply the pack and heads with a short lead and terminal block for the contractor to supply and wire the appropriate 2-wire per lamp head "extension" (4 core in total) cable.

The cable sizes for 10M, 20M, 30M, 40M are as follows:

#### Option 1:



#### Option 2:



L1 + L2 + L3 + L4	Cable Size	L1 + L2 + L3	Cable Size
10m	1.5 mm <sup>2</sup>	10m	1.5 mm <sup>2</sup>
20m	2.5 mm <sup>2</sup>	20m	2.5 mm <sup>2</sup>
40m	4.0 mm <sup>2</sup>	40m	4.0 mm <sup>2</sup>
80m	6.0 mm <sup>2</sup>	80m	6.0 mm <sup>2</sup>