

CLEVERTRONICS LP LED WEATHERPROOF SUPALITE WITH REMOTE LAMPS



PRODUCT INFORMATION	
Part Number	CWFLED-DALI-2IPREM
MIC	AUE02220020002
Description	LP Premium LED Weatherproof Supalite flood unit, surface mounted Emergency Light with dual remote lamps
Construction	Polycarbonate
Dimensions L x W x H	Main enclosure - 380mm x 190mm x 130mm Lamp - 66mm x 80mm x 206mm
Weight	Main enclosure - 2.6kg Head - 0.36kg
Operating Mode	Non-maintained
Testing System	DALI Registered
Battery	Lithium Iron Phosphate, 6.4V 3200mAh
Charging Method	Intelligent current limited constant voltage
Lamp(s)	2 x LED Heads (adjustable), 600lm per lamp head
Operating Voltage	240V AC; 50Hz
Power Consumption	1.0 Watts (Standby), 5.4 Watts (Max)
IP Rating	IP65
Operating Temperature	-40°C to 40°C (Heads only) 0°C to 40°C (remote control gear)
AS2293 Classification	C ₀ =N/A C ₉₀ =N/A
REPLACEMENT PARTS	
PART NUMBER	DESCRIPTION
1550290	BATT:LP 6.4V 3.2Ah.200mm lead.Stick.Brkt
CCPLED-WP-18V625C-CKIT	LED Power Pack, 18V 625mA, IP Loom, LP
1100550	WP Led Head, c/w Led's & Loom
8003065	PCA: DALI Node #CT10629-Ax Horizontal

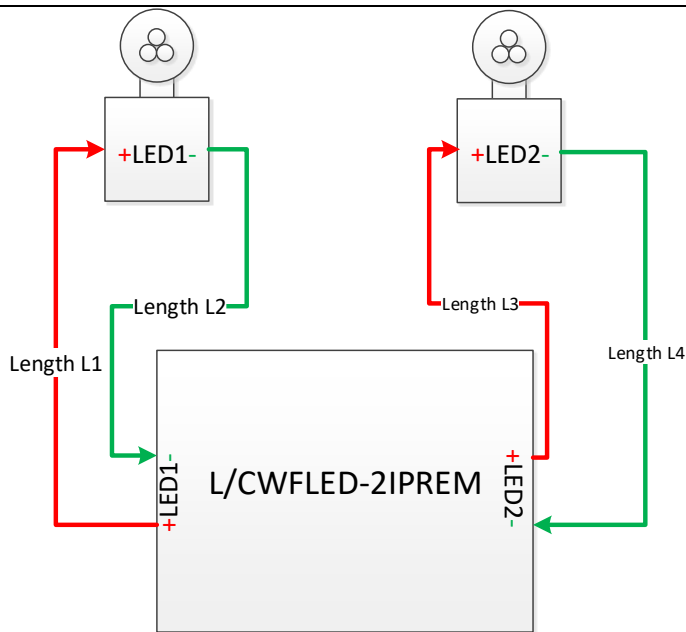
The product details described in this document are current as at the version date of the document. We reserve the right to change product design, specifications or materials (Specifications) as part of our continuous improvement program. Please confirm the applicable Specifications at the time of placing your order

Inter-connecting cable type and distances

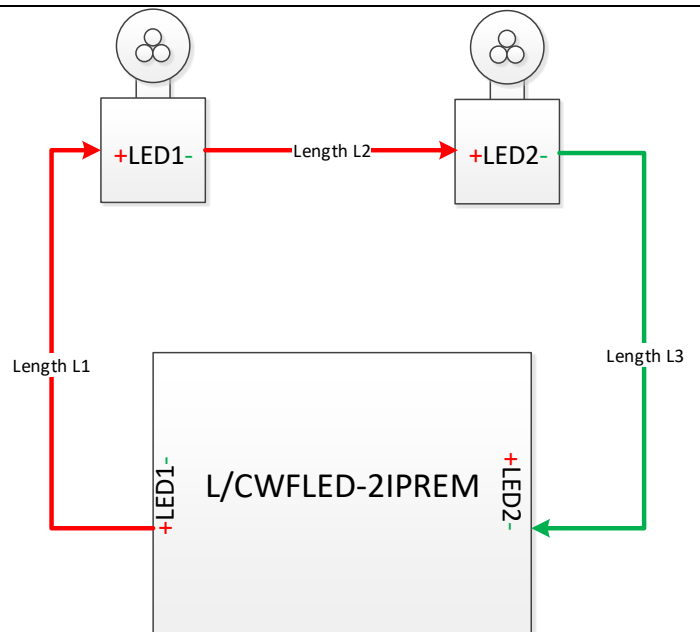
In accordance with AS2293, the maximum distance the control gear and battery can be located from the lamp source is 2m before there is a requirement need to run in fire protected cable. Below is a list indicating the maximum distance and cable size required to mount the CWFLED-2IPREM lamp source 10, 20, 30 & 40m away from the control pack and batteries. Please note that this cable would need to be suitably fire rated. As per the previous page Clevertronics would supply the pack and heads with a short lead and terminal block for the contractor to supply and wire the appropriate 2-wire per lamp head "extension" (4 core in total) cable.

The cable sizes for 10M, 20M, 30M, 40M are as follows:

Option 1:



Option 2:



L1 + L2 + L3 + L4	Cable Size	L1 + L2 + L3	Cable Size
10m	1.5 mm ²	10m	1.5 mm ²
20m	2.5 mm ²	20m	2.5 mm ²
40m	4.0 mm ²	40m	4.0 mm ²
80m	6.0 mm ²	80m	6.0 mm ²