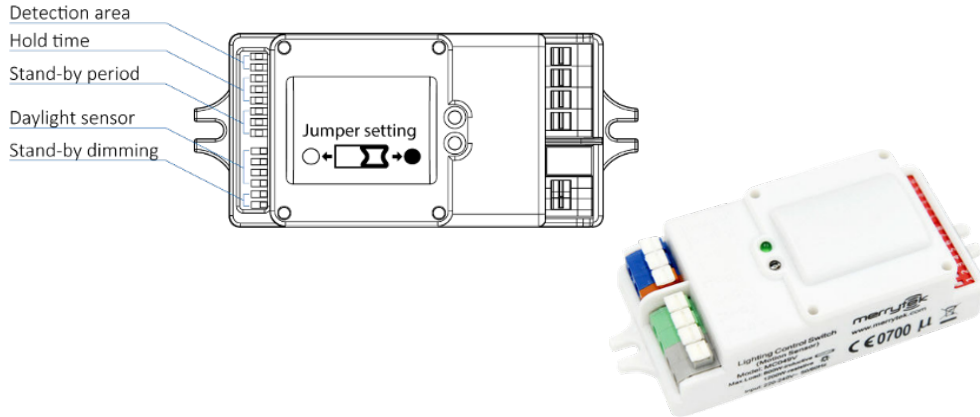
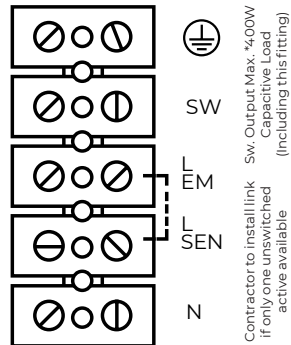


SENSOR ADJUST



TECHNICAL SPECIFICATION

Operating voltage	220-240 VAC, 50 Hz/60 Hz
Rated load	400 W (Capacitive Load)
HF system	5.8 GHz ± 75Mhz, ISM wave band
Power consumption	≤0.5 W (Standby)
Transmitting power	<0.5 mW
Typical detection area	8 m
Operating temperature	-35°C to 70°C
Detection area	25% to 100%
Hold time	5s to 20min
Daylight sensor	2lux to 100lux / Disable
Stand-by dimming level	10% to 50%



- L EM** Emergency Active (Unswitched)
- L Sen** Active in; powers sensor and batten
- SW** Switched Output from sensor – 400W max inc. master
- L SW** Switched Active (on slaved lights)
- ⊕** Earth Terminal
- N** Neutral Terminal

***NOTE:** For the daylight Sensor function to operate the standby period must be set and the fitting's LEDs need to go into OFF state. Once the light is in the OFF state the Daylight sensor will start to monitor the ambient light level and respond accordingly.

Detection area

Detection area can be reduced by selecting the combination on the DIP switches to fit precisely each application.

Default: 100%

1	2	
○	○	10%
○	●	50%
●	○	75%
●	●	100%



Hold Time

Refers to the time period the lamp remains at 100% illumination after no motion detected.

Default: 3min

3	4	5	
●	●	●	5sec
○	●	●	30sec
●	○	●	90sec
○	○	●	3min
●	●	○	20min
○	○	○	Disable



Stand-by period

Refers to the time period the lamp remains at a low light level before it completely switches off in the long absence of people. When set to "+∞" mode, the low light (stand-by dimming level) stays on until motion is detected. i.e. The light stays on at a low level.

Default: +∞

**** Connecting Slave Lights:** The sensor's stand-by period (dip switches 6-7-8) need to be changed from the factory default setting of "never off" to one of the times available, otherwise the slaved lights will not switch off. Note: After the stand-by time has expired both the master and slaved fittings will go completely off.

6	7	8	
●	●	●	0
○	●	●	5sec
●	○	●	5min
○	○	●	10min
●	●	○	30min
○	●	○	1hour
○	○	○	+ ∞



Daylight sensor*

The sensor can be set to only allow the lamp to illuminate below a defined ambient brightness threshold. When set to Disable mode, the daylight sensor will switch on the lamp when motion is detected regardless of ambient light level.

Default: Disabled

1	2	3	4	
○	○	●	●	2lux
○	○	○	●	5lux
○	●	●	○	10lux
○	○	●	○	25lux
○	●	○	○	50lux
●	○	○	○	100lux
○	○	○	○	Disable



Stand-by dimming level

The low light level you would like to have after the hold time in the long absence of people.

Default: 10%

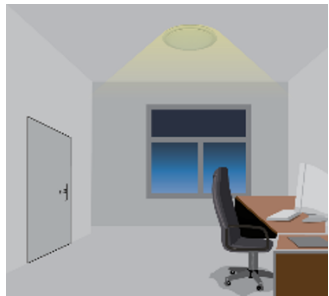
5	6	
●	●	50%
○	●	30%
●	○	20%
○	○	10%



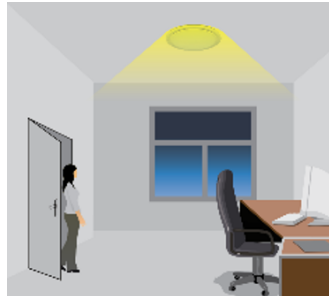
***NOTE:** For the daylight Sensor function to operate the standby period must be set and the fitting's LEDs need to go into OFF state. Once the fitting is in the OFF state the Daylight sensor will start to sense the ambient light level and respond accordingly.

HI/LO DIMMING FUNCTION

This fitting comes with Hi/Lo function as standard, the Microwave Sensor output will function to switch light output of the fitting between 10% and 100%, upon movement in the detection area. When no movement is detected the fitting will return to 10% output after the time delay set on the sensor.



No area movement detected

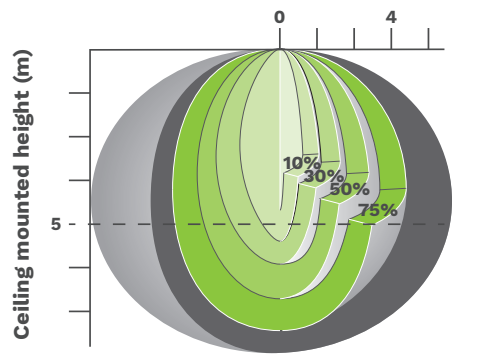


Area movement detected 100%

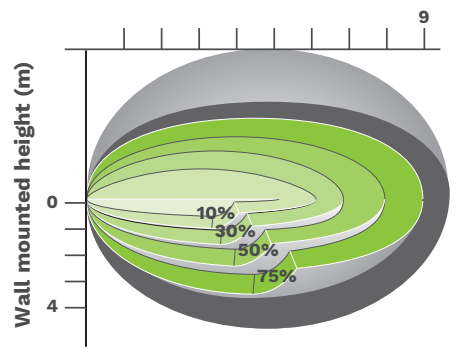


No area movement detected after time set at sensor

TYPICAL DETECTION PATTERN



Ceiling mounted detection pattern (m)



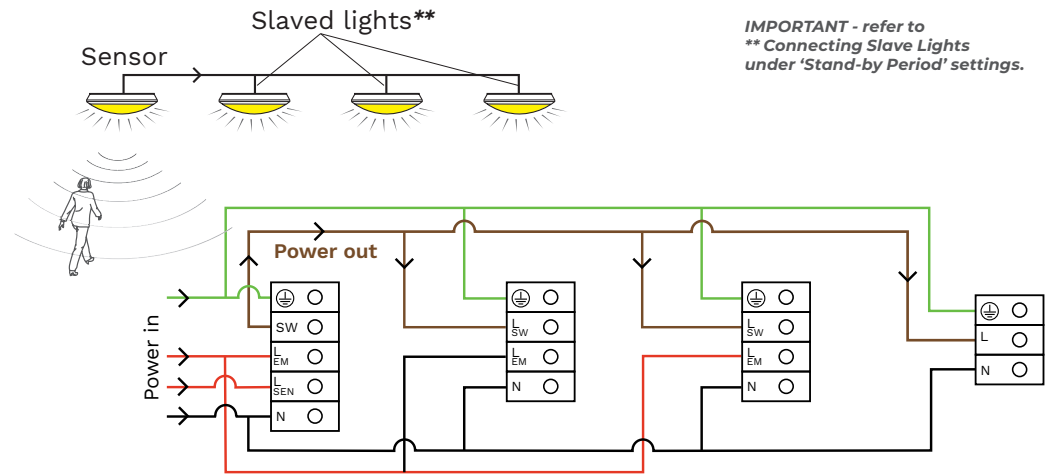
Wall mounted detection pattern (m)

Care should be taken when positioning microwave sensors to avoid nuisance switching by movement other than people. Small movements inside the detection zone such as fluttering paper, or in certain situations a larger object moving well beyond the typical detection area may cause false triggers. Microwaves can penetrate interior wall materials and doors (Inc. glass) but not metals. Adjust the detection area setting to reduce sensitivity as required, or reposition/shield the detector if necessary.

MASTER/SLAVE FUNCTION

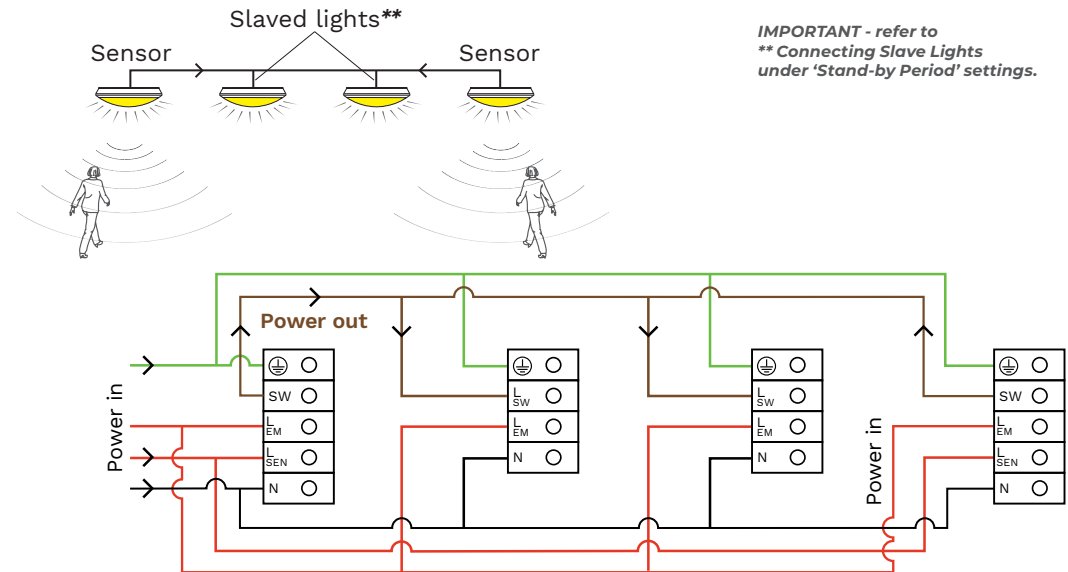
Option A – 1 sensor light connected to slave lights

Slaved lights may be standard or emergency; with or without sensors.



Option B – 2 sensor lights connected to shared slave lights

Slaved lights may be standard or emergency; with or without sensors.



L EM Emergency Active (Unswitched)
L Sen Active in; powers sensor and batten
SW Switched Output from sensor – 400W max inc. master

L SW Switched Active (on slaved lights)
 Earth Terminal
N Neutral Terminal