

Zoneworks, HIVE and DATA Monitored Options

Fittings with part numbers -ZW, -HV/-HVG, -DATA are fitted with Zoneworks communications modules (nodes). These fittings are monitored using either Powerline Carrier Technology that utilize the power cable to provide data communication, RF transceiver modules operating in the ISM band or a dedicated data cable to/from data routers installed on a dedicated data trunk connected to a central Server (can also be connected via Ethernet/Internet/Fibre). Zoneworks software on the server is used to monitor, coordinate testing and collate test data from each fitting. Zoneworks Fittings can be commissioned by a single push of the test switch or by scanning the supplied barcode. The LED Test Switch indicator provides a multifunction indication of the status of the fitting during testing and normal operation:

| Option | State | LED Operation |
|-------------------|---|--|
| ZW, HV, HVG, DATA | Commissioned | LED on Solid (Green) |
| ZW, DATA | Un-commissioned | Batt plugged-in: yellow 1s, green 1s |
| | | Batt unplugged: red 1s, off 1s |
| HV, HVG | Un-commissioned With network connectivity | Batt plugged-in: yellow 1s, green 1s |
| | | Batt unplugged: red 1s, off 1s |
| HV, HVG | Un-commissioned Without network connectivity | Batt plugged-in: yellow 250mS, green 250mS, yellow 250mS, green 250mS, green 1s |
| | | Batt unplugged: red 250mS, off 250mS, red 250mS, off 250mS, off 1s |
| ZW, DATA | Emergency Light Test In Progress | LED flashes at yellow 5s , Off 1s |
| HV, HVG | Emergency Light Test In Progress | LED flashes at yellow 1s , Off 1s |

In the case of the DATA version a 2-way “figure 8” cable and terminal block facilitates the connection to the DATA network via a multi-drop bus (daisy chain connection). For further information of installation of a Zoneworks system, please refer to the Zoneworks Users Guide and Commissioning Guide (incl. DATA version)

DALI EM Option

Luminaires with part numbers having -DALI are fitted with DALI modules (nodes) that facilitate connection and integration to 3rd Party Lighting Control Systems. Before installing the -DALI luminaire, please confirm that the Lighting Control System has the capability to monitor DALI Emergency Luminaires. The -DALI fitting will be addressed and configured into the control system by the Lighting Control System Commissioning Technicians and not Clevertronics.

| State | LED Operation |
|----------------------------------|--|
| Commissioned/ Un-commissioned | LED on Solid (Green) |
| Emergency Light Test in progress | LED flashes at 1s On (Yellow) & 1s Off |
| “IDENTIFY COMMAND” | Lamp and Status LED Flash for 30 seconds |

A 2-way “figure 8” cable and terminal block facilitates the connection to the DALI network. DALI connections are marked as Da Da.

Rated Emergency Lumen Output in accordance with AS2293.1 (refer to spacing tables for installation positions):

Refer to the Technical Label for classification information.

Caution:

On many building sites, power circuits may be cut off in an uncontrolled and repetitive basis during construction. As a result, any Exit & Emergency Units, on these circuits, will have their batteries discharged or “cycled”. The battery in this fitting has been selected to give excellent long-life performance in a controlled AS2293 testing environment. Excessive battery cycling will reduce through-life performance and may lead to premature battery failure. Battery warranty claims, as a result of such abuse, are specifically EXCLUDED from Clevertronics warranty terms.



**Argonaut PRO Weatherproof Emergency LED Batten
Installation & Maintenance Instruction Leaflet**

Victoria (Head Office & Manufacturing)
Website: www.clevertronics.com.au
Email: info@clevertronics.com.au
Phone: +61 3 9559 2700
Fax: +61 3 9559 2799

New South Wales
Phone: +61 2 8805 6400
Fax: +61 2 8805 6444

Queensland
Phone: +61 7 3442 9700
Fax: +61 7 3442 9777

South Australia/Northern Territory
Phone: +61 8 8301 8800
Fax: +61 8 8351 8286

Western Australia
Phone: +61 8 9207 0000
Fax: +61 8 9207 0088

New Zealand
Phone: +64 800 548 448



Designed in Australia to comply with the requirements of AS/NZS2293.3: 2018, AS CISPR 15: 2017

Models: ARGOPRO-600-xx-L10POD-zz

Testing:

Manual Test

DALI Registered

Zoneworks

Zoneworks HIVE



zz = Blank

zz = DALI

zz = ZW

zz = HV/HVG

Options:

Microwave Sensor (HI/LO)

DALI Driver

xx = SEN

xx = DD

NOTE: Standard product codes with this symbol  are enabled with Clevertest Plus capability. Please refer to the operation guide supplied with the product for details.

Spare Parts:

- 8002754 Replacement Emergency LED Board
- 1330029 Replacement 240V Driver
- 1330087 Replacement 240V Driver **(-SEN version only)**
- 1330038 Replacement 240V Driver **(-DD version only)**
- 1530050 Replacement Battery
- AUM01370120001 Replacement Emergency Driver
- AUM01870510001 Replacement Emergency Driver **(-SEN, -HV only)**

Important:

It is illegal for anyone, except for a licensed electrician to install or maintain this product. Before installation, ensure that the electricity supply has been switched off and isolated. Installation must be carried out in accordance with the relevant Australian and International Standards.


Note: This luminaire (with reinforced insulation between control/LED terminal and AC Supply) contains non-user replaceable light source and battery – to be replaced (if required, refer installation instructions for battery replacement) by the manufacturer or his service agent or a similar qualified person.

Installation:

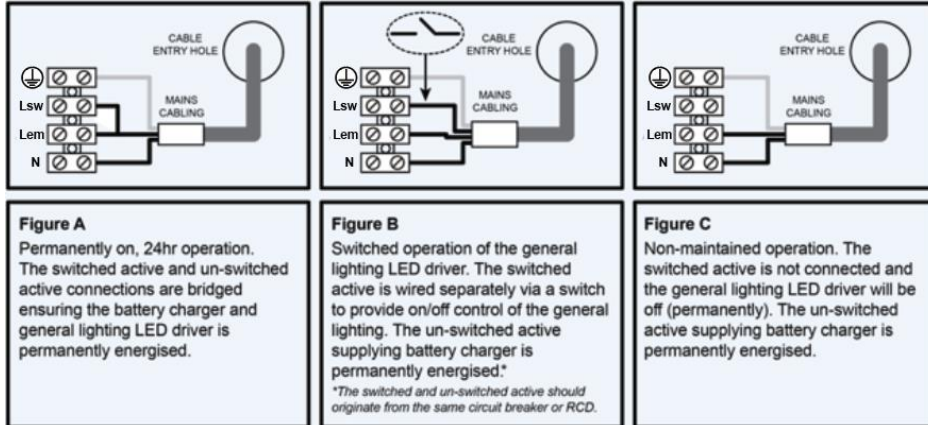
The product can be mounted/suspended from any solid surface. Follow the below installation steps:

- Determine the installation and power entry method.
- The luminaire should be positioned so that prolonged staring into the luminaire at a distance closer than 330mm is not expected.
- Undo the Diffuser Clips, remove the Diffuser and Gear Tray. Position the batten base in the desired location and Mark out the fixing points on the mounting surface.
- If the cable entry is to be via the rear of the body – Drill out a suitable entry-hole in the rear of the batten body (must be suitably sealed after cable entry using a sealant). If the cable entry is via the end of the batten - Install the provided cable gland, or bring in conduit, to the base as required for the intended power access.

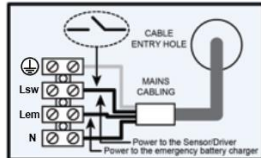
Note: Only round cables are to be used with the cable gland for an IP65 seal. Keep cable entry straight and tension free. Ensure all seals are tight.
min. wire diameter 7mm, max. 12mm.

- **For surface mounting** -, there are 3 extrusions/posts at each end of the base. Drill out the desired number of fixing points at each end. **Fixings must only be through the extrusions/mounting posts.**
 - Position the fitting to the mounting surface and mark the mounting holes.
 - Cable/Gland entry to be down if mounting vertically.
 - Drill the mounting holes.
 - Fix the base to the surface with appropriate fixings.
 - Seal any penetrations/fixing points with appropriate sealant.
- **For Surface Mount Clip mounting**, measure/mark spacing (see Dimensions image), install stainless steel clips to surface (use appropriate fixings), then snap batten into clips.
- **For Suspension Mounting**, measure/mark spacing (see Dimensions image), install suspension device, E.G chain, and connect chain to batten base.
- Wire mains power cable, 240V 50Hz, to terminals marked Lsw (Switched Active), Lem (Emergency/Unswitched Active), N &  (and DALI Cable to terminals Da Da as applicable)
- Attach Gear Tray to lanyards.
- Re-Install the Diffuser, close all the Diffuser Clips and secure with screws

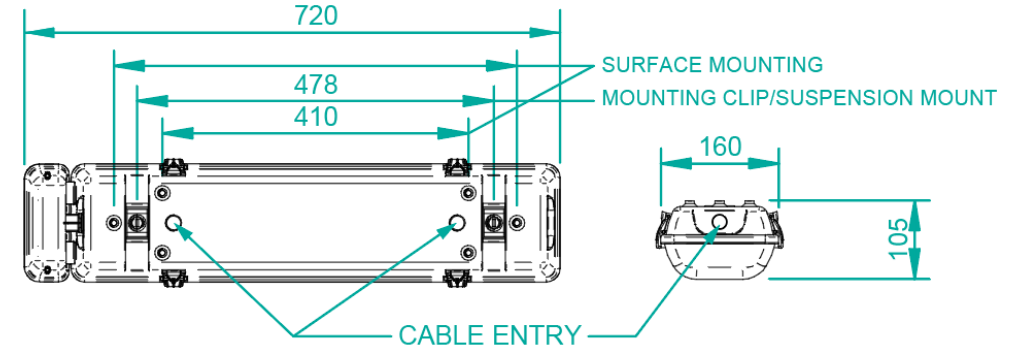
Wiring:



Sensor Version:



Dimensions:



Testing:

Once connected to the 240V mains supply, the unit must be allowed to charge the battery for at least 24 hours. Conduct the following tests:

- For the first test, the emergency lamp must remain illuminated for at least 2 hours after disconnection from the mains supply.
- Subsequent tests require the unit to illuminate for at least 90 minutes. The results of all tests are required to be recorded in a service logbook, which is to be kept on-site at all times. If the unit fails to remain illuminated for the requisite time, remedial action must be taken to repair the situation and once completed, the unit must pass a subsequent test. For more specific information, please refer to the current edition of the AS 2293.3 Standard.
- Press and hold Test Button or switch Off Mains Supply, check that the emergency lamp is On.
- Release the Test Button or Switch On Mains Supply, check that the emergency lamp is Off (Non-maintained operation).

Trouble Shooting:

Below are a list of common problems and their possible causes.

Fault: The Green LED Test Switch indicator is not illuminated.

Check: A.C. is connected and is turned on.
Battery is connected
Test Switch for damage.

Fault: Lamp does not illuminate in emergency mode.

Check: A.C. is connected.
Lamp is correctly inserted.
Battery is connected

Fault: Lamp illuminates in emergency mode, but only stays on for a short period.

Check: Battery has been allowed to charge for at least 24 hours.
Battery for damage.

Warranty:

For Product Warranty information and Terms and Conditions of Sales please refer to our website <http://clevertronics.com.au/terms-conditions-sale-australia-nz/>