

After Power ON, the Status LED on a Clevertest Plus enabled fitting will display a rapid Green or Red flashing for a period up to 2 minutes.

The diffuser will require removal to gain access to the Test/Status Switch and LED. Maintained fittings (LVP4LEDm-P-xx-yy) cannot be scanned with a camera using the CleverSparky App as the maintained light source interferes with the camera scanning function. To register the fitting manually enter the serial number from the QR code and visually read the test result and enter manually into CleverSparky.

Zoneworks and DATA Monitored Options

Battens with part numbers including -ZW, -DATA are fitted with Zoneworks communications modules (nodes). These fittings are monitored using either Powerline Carrier Technology that utilises the power cable to provide data communication or a dedicated data cable to/from data routers installed on a dedicated data trunk connected to a central Server (can also be connected via Ethernet/Internet/Fibre). Zoneworks software on the server is used to monitor, coordinate testing and collate test data from each batten and can be commissioned by scanning of the supplied barcode. The LED Test Switch indicator provides a multifunction indication of the status of the batten during testing and normal operation:

State	LED Operation
Commissioned	LED on Solid (Green)
Un-commissioned	LED flashes at 0.5Hz (0.5s Green, 0.5s Yellow)
Emergency Light Test In Progress	LED flashes at 3s On (Yellow) & 0.5s Off

In the case of the DATA version a 2-way "figure 8" cable and terminal block facilitates the connection to the DATA network via a multi-drop bus (daisy chain connection). For further information of installation of a Zoneworks system, please refer to the Zoneworks Users Guide and Commissioning Guide (incl. DATA version)

DALI EM Option

Battens with part numbers including -DALI are fitted with DALI modules (nodes) that facilitate connection and integration to 3rd Party Lighting Control Systems. Before installing the -DALI battens please confirm that the Lighting Control System has the capability to monitor DALI Emergency Luminaires. The -DALI batten will be addressed and configured into the control system by the Lighting Control System Commissioning Technicians and not Clevertronics.

State	LED Operation
Commissioned/ Un-commissioned	LED on Solid (Green)
Emergency Light Test in progress	LED flashes at 1s On (Yellow) & 1s Off
"IDENTIFY COMMAND"	Fitting goes into emergency mode for 10 seconds

A 2-way "figure 8" cable and terminal block facilitates the connection to the DALI network. DALI connections are marked as Da Da.



L10™ 4ft LED Weatherproof Vandal Resistant Batten Installation & Maintenance Instruction Leaflet



Victoria (Head Office & Manufacturing)

195 Chesterville Rd
Moorabbin VIC 3189
Phone: +61 3 9559 2700
Fax: +61 3 9559 2799

New South Wales

Phone: +61 2 8805 6400
Fax: +61 2 8805 6444

Queensland

Phone: +61 7 3442 9700
Fax: +61 7 3442 9777

South Australia/Northern Territory

Phone: +61 8 8301 8800
Fax: +61 8 8351 8286


Western Australia

Phone: +61 8 9248 3720
Fax: +61 8 9248 3725

New Zealand

Phone: +64 800 548 448

Designed in Australia to comply with the requirements of AS2293.3: 2005 and AS/NZS CISPR15: 2011

NOTE: Standard product codes with this symbol  are enabled with Clevertest Plus capability. Please refer to the operation guide supplied with the product for details.

Models:

LVP4LEDz-P-xx-yy


Testing :

Manual Test
Zoneworks
Z/W DATA
DALI Comp.
Clevertest

xx = Blank
xx = ZW
xx = DATA
xx = DALI
xx = CT

Options:

Maintained Operation z = M
Non-maintained Operation z = N
4HR Battery yy=4HR

(NOTE: -CT Products supplied with the Clevertest Plus Symbol  are activated with Clevertest PLUS capability. Please refer to the operation guide supplied with the product for

Spare Parts:

1530260
LCPLED-48V95C-CKIT
1330055
8002699

BATT: L10 6.6V 2500mAh.200mm lead.SBS. (x2 for -4HR version)
LED Power Pack, 48V 95mA, 6.6V 2.5Ah, L10
LED Driver - LC 50w 350-1050mA, 20-50V
PCA: LED Strip 5P8S, ALS-50-840-3-01-C

Important:

It is illegal for anyone, except for a licensed electrician to install or maintain this product. Before installation, ensure that the electricity supply has been switched off and isolated. Installation must be carried out in accordance with the relevant Australian and International Standards.

Installation:

The Vandal Proof Batten (LVPLEDM-P) is a surface mount fitting.

The batten can be attached directly to any solid surface by drilling the base internal mounts as required. Refer to the Dimensions Section for mounting points.

The batten can also be mounted to Unistrut utilizing the four (4) recessed screw holes on the back of the case. Refer to Dimensions section.

1. Remove the diffuser and gear tray. Position the batten base in the desired location.
2. Mark out the fixing points on the mounting surface.
3. Fasten the batten to the surface, using appropriate fixing method.
4. Route power cable through the access hole. Use the conduit entry point at the end or drill a suitable entry hole in the rear of the batten body (must be suitably sealed after cable entry).
5. Attach gear tray to lanyards.
6. Wire mains power cable, 240V 50Hz, to terminals marked Asw, Aem, N & E
7. Fit gear tray and diffuser.
8. If the CTP capabilities are activated please affix the CTP status Label to a visible surface.

Sealing:

When drilling through the fitting base, a suitable silicone sealant must be applied to maintain the IP rating. Always use a sealant that remains flexible. Apply enough sealant so that the material oozes out completely around the washer when the bolt or screw is tightened.

Always use a gland or screwed conduit adapter. With conduit ensure that the other end of the conduit is not left open. Even if it is inside the building, it allows water vapor and insects to enter the fitting. A rubber washer and silicone sealant should also be used between the fitting body and the conduit nut inside the fitting to guarantee a water-tight seal. Use PVC cement to seal all conduit joints. Glands are intended for round cable and will not seal against TPS. Even when properly installed using round cable, sealant may be necessary in extreme weather exposure.

Networking:

When installing the product on a monitored network, (ZONWORKS, DATA, DALI) simply insert the relevant Smart Node PCA.

Testing:

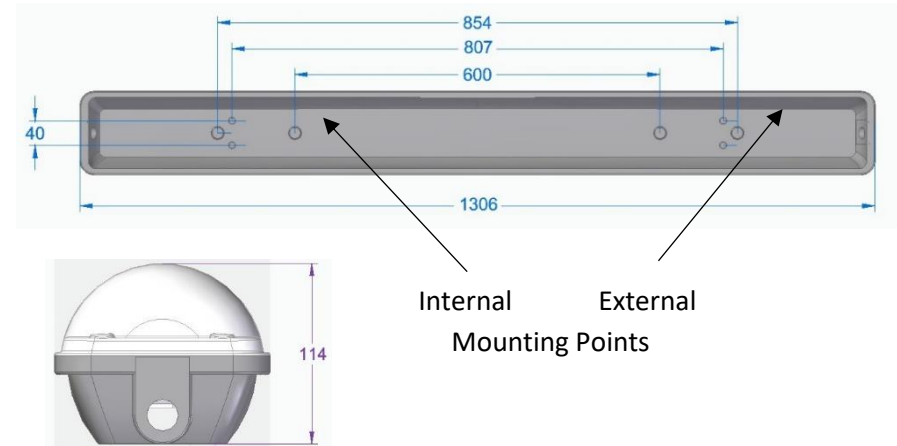
Once connected to the 240V mains supply, the unit must be allowed to charge the battery for at least 24 hours. Conduct the following tests:

- For the first test, the emergency lamp must remain illuminated for at least 2 hours after disconnection from the mains supply.
- Subsequent tests require the unit to illuminate for at least 90 minutes. The results of all tests are required to be recorded in a service logbook, which is to be kept on-site at all times. If the unit fails to remain illuminated for the requisite time, remedial action must be taken to repair the situation and once completed, the unit must pass a subsequent test. For more specific information, please refer to the current edition of the AS 2293.3 Standard.

Rated Emergency Lumen Output in accordance with AS2293.1 (refer to spacing tables for installation positions):

Please refer to technical label on the product for classification information.

Mounting Dimensions:



Batten Maintenance:

Battery Replacement:

- Use only the battery recommended in the Spares List on this instruction.

Trouble Shooting:

Below are a list of common problems and their possible causes.

- Fault:** **The Green LED Test Switch indicator is not illuminated.**
Check: A.C. is connected and is turned on.
Battery is connected
Test Switch for damage.
- Fault:** **Lamp does not illuminate in emergency mode.**
Check: A.C. is connected.
Lamp is correctly inserted.
Battery is connected
- Fault:** **Lamp illuminates in emergency mode, but only stays on for a short period.**
Check: Battery has been allowed to charge for at least 24 hours.
Battery for damage.

Caution:

On many building sites, power circuits may be cut off in an uncontrolled and repetitive basis during construction. As a result, any Exit & Emergency Units, on these circuits, will have their batteries discharged or "cycled". The battery in this fitting has been selected to give excellent long life performance in a controlled AS2293 testing environment. Excessive battery cycling will reduce through-life performance and may lead to premature battery failure. Battery warranty claims, as a result of such abuse, are specifically EXCLUDED from Clevertronics warranty terms.

Warranty:

For Product Warranty information and Terms and Conditions of Sales please refer to our website <http://clevertronics.com.au/terms-conditions-sale-australia-nz/>