

Refer to the supplementary operation guide supplied with the Product.
After Power ON, the Status LED on a Clevertest Plus enabled fitting will display a rapid Green or Red flashing for a period up to 2 minutes.

Note: To scan Status LED on the fitting, ring and lid at the front of Bunkalite needs to be removed.

Status LED Note:

Status LED is High Brightness and may appear as two separate spots as seen below. If Red and Green are seen at the same time, this needs to be taken as Yellow in Clevertest Plus operation guide.



Zoneworks, HIVE (HV/HVG) and DATA Monitored Options

Fittings with part numbers -ZW, -HV, -HVG, -DATA are fitted with Zoneworks communications modules (nodes). These fittings are monitored using either Powerline Carrier Technology that utilize the power cable to provide data communication, RF transceiver modules operating in the ISM band or a dedicated data cable to/from data routers installed on a dedicated data trunk connected to a central Server (can also be connected via Ethernet/Internet/Fibre). Zoneworks software on the server is used to monitor, coordinate testing and collate test data from each fitting. Zoneworks Fittings can be commissioned by a single push of the test switch or by scanning the supplied barcode. The LED Test Switch indicator provides a multifunction indication of the status of the fitting during testing and normal operation:

Option	State	LED Operation
ZW, HV, HVG, DATA	Commissioned	LED on Solid (Green)
ZW, DATA	Un-commissioned	Batt plugged-in: yellow 1s, green 1s
		Batt unplugged: red 1s, off 1s
HV, HVG	Un-commissioned With network connectivity	Batt plugged-in: yellow 1s, green 1s
		Batt unplugged: red 1s, off 1s
HV, HVG	Un-commissioned Without network connectivity	Batt plugged-in: yellow 250mS, green 250mS, yellow 250mS, green 250mS, green 1s
		Batt unplugged: red 250mS, off 250mS, red 250mS, off 250mS, off 1s
ZW, DATA	Emergency Light Test In Progress	LED flashes at yellow 5s , Off 1s
HV, HVG	Emergency Light Test In Progress	LED flashes at yellow 1s , Off 1s

In the case of the DATA version a 2-way "figure 8" cable and terminal block facilitates the connection to the DATA network via a multi-drop bus (daisy chain connection). For further information of installation of a Zoneworks system, please refer to the Zoneworks Users Guide and Commissioning Guide (incl. DATA version)

DALI EM Option

DALI Luminaires are fitted with DALI modules (nodes) that facilitate connection and integration to 3rd Party Lighting Control Systems. Before installing the DALI luminaire, please confirm that the Lighting Control System has the capability to monitor DALI Emergency Luminaires. The DALI fitting will be addressed and configured into the control system by the Lighting Control System Commissioning Technicians and not Clevertronics.

State	LED Operation
Commissioned/ Un-commissioned	LED on Solid (Green)
Emergency Light Test in progress	LED flashes at 1s On (Yellow) & 1s Off
"IDENTIFY COMMAND"	Lamp Flash for 30 seconds

A 2-way "figure 8" cable and terminal block facilitates the connection to the DALI network. DALI connections are marked as Da Da.



LP™ Bunkalite with High Brightness Status LED

Installation & Maintenance Instruction Leaflet



Victoria (Head Office & Manufacturing)
Website: www.clevertronics.com.au
Email: info@clevertronics.com.au
Phone: +61 3 9559 2700
Fax: +61 3 9559 2799

New South Wales
Phone: +61 2 8805 6400
Fax: +61 2 8805 6444


Queensland
Phone: +61 7 3442 9700
Fax: +61 7 3442 9777

South Australia/Northern Territory
Phone: +61 8 8301 8800
Fax: +61 8 8351 8286

Western Australia
Phone: +61 8 9207 0000
Fax: +61 8 9207 0088

New Zealand
Phone: +64 800 548 448

Designed in Australia to comply with the requirements of AS2293.3: 2005 and AS/NZS CISPR15: 2017

NOTE: Standard product codes with this symbol  are enabled with Clevertest Plus capability. Please refer to the operation guide supplied with the product for details.

Models:

Testing:	
Manual Test	xx = Blank
Zoneworks	xx = ZW
ZW DATA	xx = DATA
Zoneworks HIVE	xx = HV/HVG
DALI	xx = DALI
DALI-2	xx = D2

CBKLEDx-vv-yy-xx-ss-zz

Options:	
Sustained	x = S
Non-Maintained	x = N
DALI Driver	vv = DD
Warm White	yy = WW
Microwave Sensor	ss = MS
Custom Colour	zz
Tamperproof	zz=TP

Spare Parts:

1550010	Replacement Battery	
8002801	Replacement Emergency LED Board	
8002802	Replacement Emergency LED Board	(-WW)
1331101-B	Replacement 240V Driver	
1330045	Replacement 240V Driver	(-DD)
AUM02370170001	Replacement Emergency Driver	
AUM02870100001	Replacement Emergency Driver	(-HV)
AUM02970060001	Replacement Emergency Driver	(-HVG)
AUM02270170002	Replacement Emergency Driver	(-DALI)
AUM02270550001	Replacement Emergency Driver	(-D2)
1190310	Replacement Microwave Sensor	(-MS)

Important:

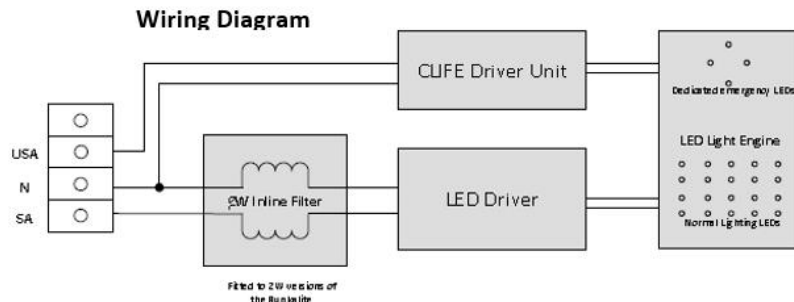
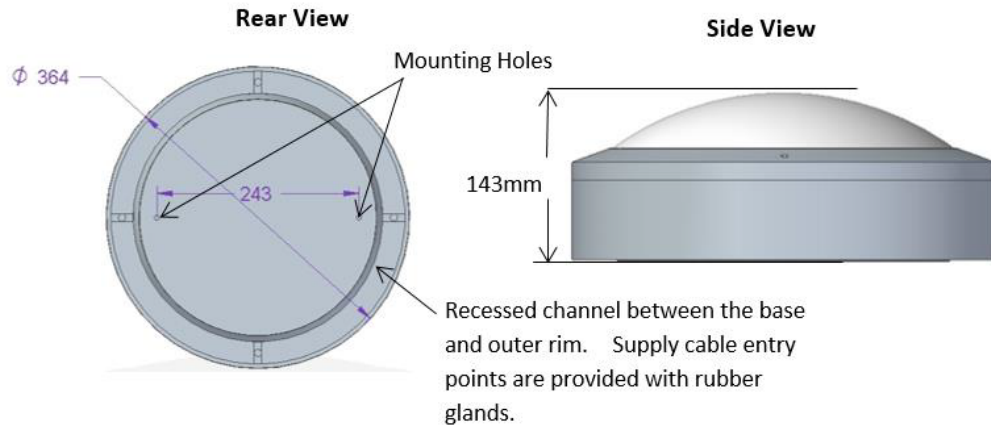
It is illegal for anyone, except for a licensed electrician to install or maintain this product. Before installation, ensure that the electricity supply has been switched off and isolated. Installation must be carried out in accordance with the relevant Australian and International Standards.

Installation:

The CLP LED Bunkalite (CBKLEDx) can be installed either Ceiling or Wall Mounted.

- When using Eyelid accessories, mounting orientation of the Bunkalite needs to be considered to maintain visibility of the Emergency Status LED.
- Remove the four (4) screws holding the ring to the fitting.
- Remove the four (4) screws holding the gear tray to the base.
- At this point you must decide if the supply cable entry will be via the entry point provided, in the channel recess between the outer-rim and the base, or if a new cable entry is to be drilled into the rear of the base. NOTE: if you choose to use the cable entry point provided the luminaire cannot be positioned/centred over the supply cable point on the wall or ceiling. The supply cable must line up with the recessed channel as shown below.
- Using the base as a guide, mark 2 holes for mounting and one for mains access.
- Mount the base using appropriate fixings and seal these fixings with silicone (fill any additional entry points with silicone also).
- Route the power inside the base.
- Connect the 240VAC (A, E, N, SA) supply to the terminal block of the gear tray.
- Install the gear tray to the base.
- Apply power to the fitting and test per the instructions.
- If the CTP capabilities are activated, please affix the CTP status label to a visible surface and Four Segment Marking on the product will include an "F" in third segment block.

Dimensions:



Testing:

Once connected to the 240V mains supply, the unit must be allowed to charge the battery for at least 24 hours. Conduct the following tests:

- For the first test, the emergency lamp must remain illuminated for at least 2 hours after disconnection from the mains supply.
- Subsequent tests require the unit to illuminate for at least 90 minutes. The results of all tests are required to be recorded in a service logbook, which is to be kept on-site at all times. If the unit fails to remain illuminated for the requisite time, remedial action must be taken to repair the situation and once completed, the unit must pass a subsequent test. For more specific information, please refer to the current edition of the AS 2293.3 Standard.

Maintenance:

Lamp Replacement:

- Use only the lamp(s) recommended on the label inside the Bunkalite.
- To replace the lamp bar, remove the self-tapping screws, disconnect the signal cable and install the new lamp bar.

Battery Replacement:

- Use only the battery recommended on the label inside the Bunkalite and on this instruction.
- Remove the cable ties holding the battery, un-plug the lead from the PCB and remove the old battery.
- Clip the new battery into the holder, route the DC cable to the PCB and plug the new battery into the PCB.
- Secure the battery using suitable cable ties

Trouble Shooting:

Below are a list of common problems and their possible causes.

Fault: The Green LED Test Switch indicator is not illuminated.

Check: A.C. is connected and is turned on.
Battery is connected.
Test Switch for damage.

Fault: Lamp does not illuminate in emergency mode.

Check: A.C. is connected.
Lamp is correctly inserted.
Battery is connected.

Fault: Lamp illuminates in emergency mode, but only stays on for a short period.

Check: Battery has been allowed to charge for at least 24 hours.
Battery for damage.

Rated Emergency Lumen Output in accordance with AS2293.1, not applicable for –TH (theatre) version (refer to spacing tables for installation positions):

Refer to the Technical Label for classification information.

Caution:

On many building sites, power circuits may be cut off in an uncontrolled and repetitive basis during construction. As a result, any Exit & Emergency Units, on these circuits, will have their batteries discharged or "cycled". The battery in this fitting has been selected to give excellent long-life performance in a controlled AS2293 testing environment. Excessive battery cycling will reduce through-life performance and may lead to premature battery failure. Battery warranty claims, as a result of such abuse, are specifically EXCLUDED from Clevertronics warranty terms.

Warranty:

For Product Warranty information and Terms and Conditions of Sales please refer to our website <http://clevertronics.com.au/terms-conditions-sale-australia-nz/>

Note:

This luminaire (with reinforced insulation between control/LED terminal and AC Supply) contains non-user replaceable light source – to be replaced (if required) by the manufacturer or his service agent or a similar qualified person.